

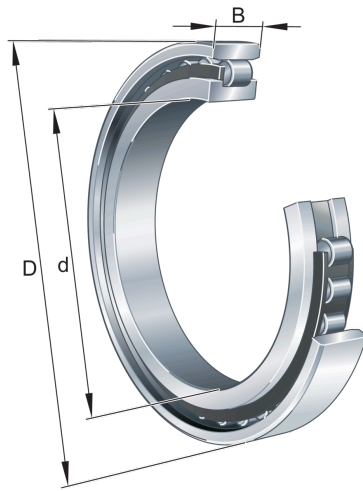
**FAG****N212-E-XL-TVP2**

Cylindrical roller bearing

Schaeffler ID:
0190043200000

Cylindrical roller bearing N2..-E-TVP, with cage, single row, non-locating bearing, 0 ribs on outer ring, 2 rib on inner ring, type N2

Technical information

**Main Dimensions & Performance Data**

d	60 mm	Bore diameter
D	110 mm	Outside diameter
B	22 mm	Width
C_r	112,000 N	Basic dynamic load rating, radial
C_{0r}	103,000 N	Basic static load rating, radial
C_{ur}	17,900 N	Fatigue load limit, radial
$n_{G Grease}$	7,500 1/min	Limiting speed for grease lubrication
$n_{G Oil}$	8,900 1/min	Limiting speed for oil lubrication
	0.81 kg	Weight

Dimensions

$r_{1 min}$	1.5 mm	Minimum chamfer dimension
s_1	1.6 mm	Axial displacement
E	100 mm	Raceway diameter outer ring

Mounting dimensions

$d_{a min}$	69 mm	Minimum diameter shaft shoulder
$D_{a max}$	101 mm	Maximum diameter of housing shoulder
$r_{a1 max}$	1.5 mm	Maximum recess radius

Temperature range

T_{min}	-30 °C	Operating temperature min.
T_{max}	120 °C	Operating temperature max.